

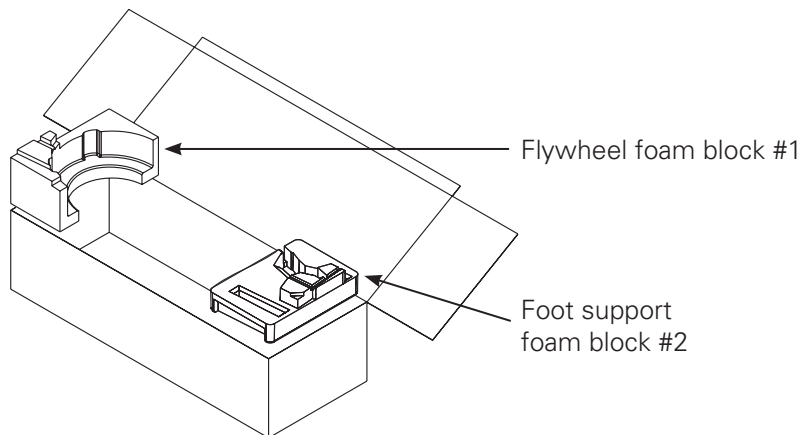
# REBOXING MODEL D INDOOR ROWER

Applies to all Model Ds built after July 31, 2006.

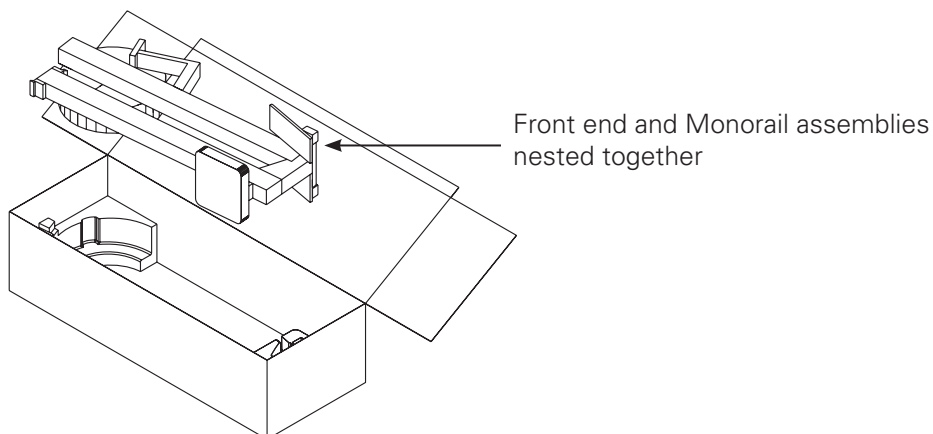
**TOOLS NEEDED:** 6 lobe driver, packing tape

- 1 Remove and disassemble the front legs.

2



3



4

